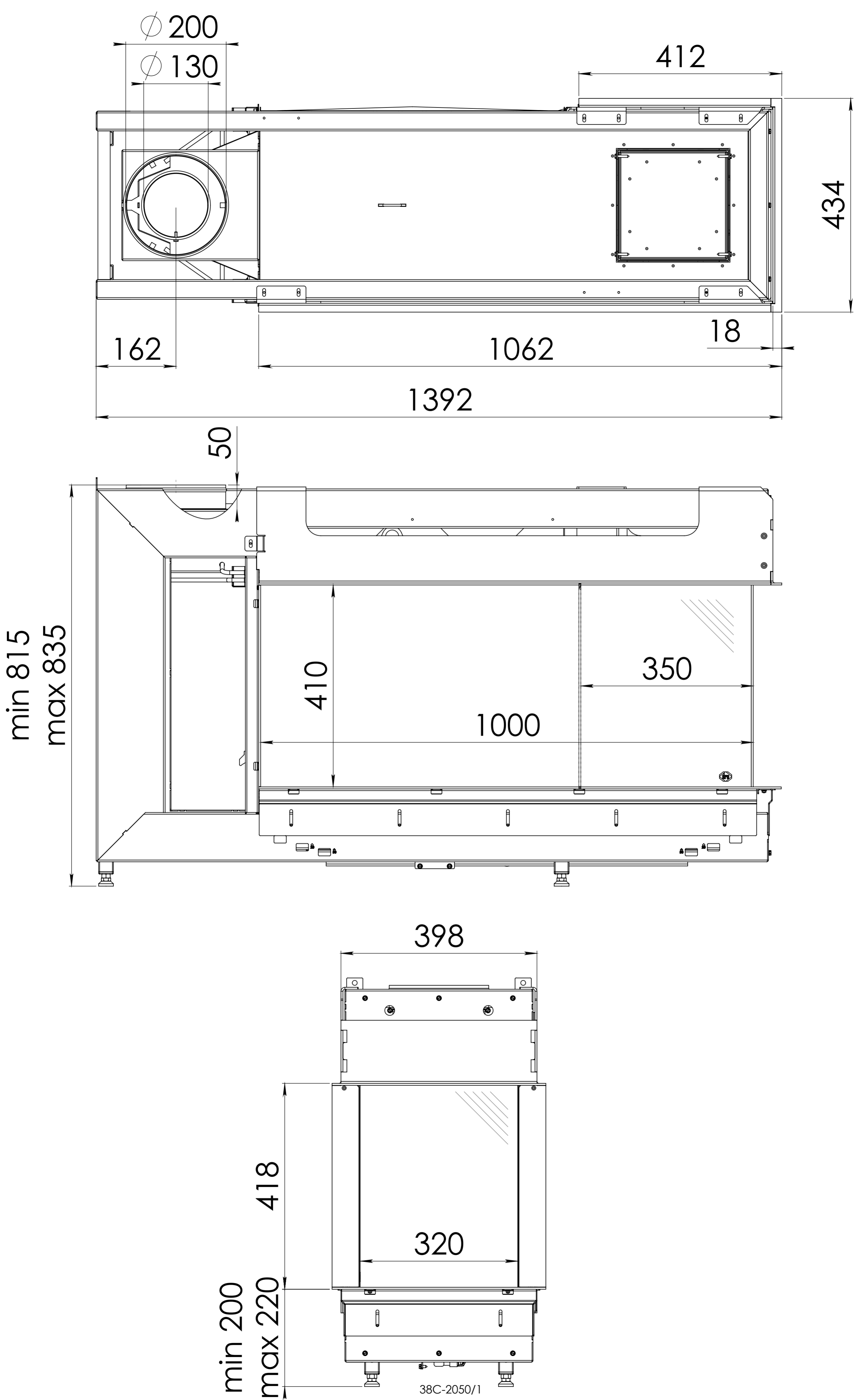


**Metro 100 XTL L RCH 41**



**Metro 100 XTL R RCH 41**